

WNUC Type AC Contactor

1

AC Contactor



Applicable scope

The WNUC AC Contactors are suitable for controlling various types of motors in the circuit of AC 50/60Hz, voltage up to 1000 V, current up to 800 A.

Controlling resistance, inductance, and capacitive circuits: heating, lighting, power compensation, transformer.

Controlling distribution circuit, industrial distribution, green distribution. or frequent operations and harsh environment, quick operating coils are recommended to use.

Conform to IEC/EN 60947-4-1

Operation and installation conditions

Type	Operation and installation conditions
Installation class	III
Compliant standards	IEC/EN 60947-4-1
Degree of protection	IP20
Ambient temperature	Operation temperature limits: $-40^{\circ}\text{C}\sim+70^{\circ}\text{C}$ Normal operation temperature range: $-5^{\circ}\text{C}\sim+40^{\circ}\text{C}$. Storage temperature range: $-60^{\circ}\text{C}\sim+80^{\circ}\text{C}$.
Humidity	Maximum relative humidity less than 50% below 40°C , Maximum relative humidity less than 90% below 20°C
Altitude	Not exceeding 2000 m above sea level.

WNUC Type AC Contactor

Performance		Technical performance	
Rated insulation voltage U_i (V)		1000V	
Rated impulse withstand voltage U_{imp} (kV)		8kV	
Rated operational voltage U_e max (V)		1000V	
Rated making capacity		Making current: 10x I_e (AC-3) or 12x I_e (AC-4)	
Rated breaking capacity		Breaking current: 8x I_e (AC-3) or 10x I_e (AC-4)	
Rated control voltage(U_c)		24-660V (please specify control voltage when placing orders, default voltage is 220V)	
Mechanical life (cycles)		1x10 ⁶	
Main contact	115-265	3 Pole or 4 Pole	
	330-780	3 Pole or 4 Pole	
	800	3 Pole	
Control voltage limits(AC) (0≤55°C)	Pull-in	0.85-1.1 U_c	
	Release(AC)	0.2-0.75 U_c	
	Release(DC)	0.1-0.75 U_c	
Average power 50Hz (VA)	Start	115~150	550
		185-225	810
		265	1200
		330	600
		400	1000
		500	1050
		630	1500
		780	1900
	Hold	800	1600
		115~150	45
		185~225	55
		265	85
		330	10
		400	12
		500	16
		630	20
780	45		
800	22		

WNUC Type AC Contactor 3 Pole

1 AC Contactor

Contactor model			Conventional thermal current I_{th} (A) ($0 \leq 40^\circ\text{C}$)	Rated operation current I_e (A)		Rated control power AC-3(kW)
				Max AC-1 ($0 \leq 40^\circ\text{C}$)	Max AC-3 ($0 \leq 55^\circ\text{C}$)	
WNUC-115-3P	W605962	220V/240V	200	200	115	30
		380V/400V	200	200	115	55
		415V/440V	200	200	115	59
		500V	200	200	-	75
		660V/690V	200	200	-	80
		1000V	200	200	-	65
WNUC-150-3P	W605963	220V/240V	250	250	150	40
		380V/400V	250	250	150	75
		415V/440V	250	250	150	80
		500V	250	250	-	90
		660V/690V	250	250	-	100
		1000V	250	250	-	65
WNUC-185-3P	W605964	220V/240V	275	275	185	55
		380V/400V	275	275	185	90
		415V/440V	275	275	185	100
		500V	275	275	-	110
		660V/690V	275	275	-	120
		1000V	275	275	-	100
WNUC-225-3P	W605965	220V/240V	315	315	225	63
		380V/400V	315	315	225	100
		415V/440V	315	315	225	110
		500V	315	315	-	129
		660V/690V	315	315	-	129
		1000V	315	315	-	140
WNUC-265-3P	W605966	220V/240V	350	350	265	75
		380V/400V	350	350	265	132
		415V/440V	350	350	265	140
		500V	350	350	-	160
		660V/690V	350	350	-	180
		1000V	350	350	-	147
WNUC-330-3P	W605967	220V/240V	400	400	330	100
		380V/400V	400	400	330	160
		415V/440V	400	400	330	180
		500V	400	400	-	200
		660V/690V	400	400	-	220
		1000V	400	400	-	160

WNUC Type AC Contactor 3 Pole

Contactor model			Conventional thermal current I _{th} (A) (0≤40°C)	Rated operation current I _e (A)		Rated control power AC-3(kW)
				Max AC-1 (0≤40°C)	Max AC-3 (0≤55°C)	
WNUC-400-3P	W605968	220V/240V	500	500	400	129
		380V/400V	500	500	400	200
		415V/440V	500	500	400	220
		500V	500	500	-	257
		660V/690V	500	500	-	280
		1000V	500	500	-	185
WNUC-500-3P	W605969	220V/240V	700	700	500	147
		380V/400V	700	700	500	250
		415V/440V	700	700	500	280
		500V	700	700	-	335
		660V/690V	700	700	-	355
		1000V	700	700	-	335
WNUC-630-3P	W605970	220V/240V	900	900	630	200
		380V/400V	900	900	630	335
		415V/440V	900	900	630	275
		500V	900	900	-	400
		660V/690V	900	900	-	450
		1000V	900	900	-	450
WNUC-780-3P	W605971	220V/240V	1000	1000	780	220
		380V/400V	1000	1000	780	400
		415V/440V	1000	1000	780	425
		500V	1000	1000	-	450
		660V/690V	1000	1000	-	475
		1000V	1000	1000	-	450
WNUC-780-2-3P	W605972	220V/240V	1000	1000	800	220
		380V/400V	1000	1000	800	400
		415V/440V	1000	1000	800	425
		500V	1000	1000	-	450
		660V/690V	1000	1000	-	475
		1000V	1000	1000	-	450

1 AC Contactor

WNUC Type AC Contactor

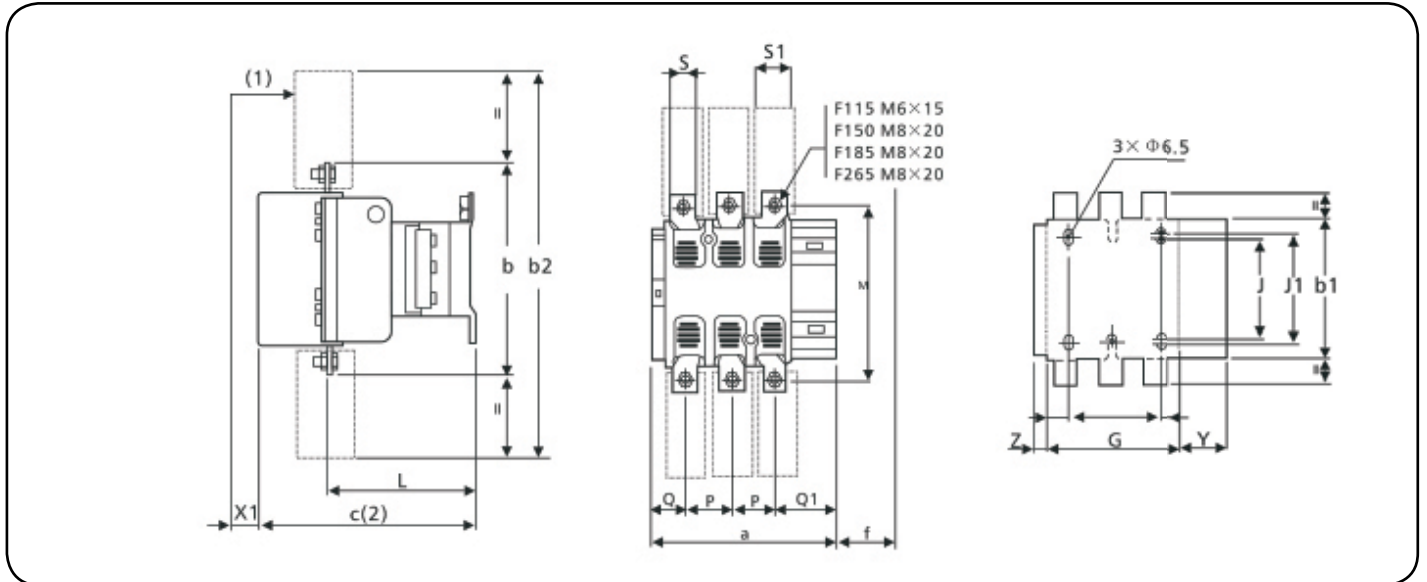
Contactor wiring

1 AC Contactor

Contactor wiring		115	150/ 185	225	265	330	400	500	630	780	800
Cabling (0≤55°C)	The maximum cross section area number of cable (mm ²)	2	2	2	2	2	2	2	2	2	2
	Dimension of cables	20x3	25x3	32x3	32x4	30x5	30x5	40x5	60x5	100x5	60x5
	Cable with tabs (mm ²)	95	120/150	185	240	240	2x150	2x240	-	-	-
	Cable with connectors (mm ²)	95	120/150	185	240	-	-	-	-	-	-
	Bolt diameter(mm)	Ø6	Ø8	Ø10	Ø10	Ø10	Ø10	Ø10	Ø10	Ø12	Ø12
Cable Circuit Connection	Tightening torque (N.m)	10	18	35	35	35	35	35	58	58	58

WNUC Type AC Contactor 3 Pole

Dimensions



1

AC Contactor

Current		115	150	185	225	265	330	400	500	630	780	800
Item	A	163.5	163.5	168.5	168.5	201.5	213	213	233	309	704	309
	B	162	170	174	197	203	206	206	238	304	435	304
	C	171	171	181	181	213	219	219	232	255	255	255
	F	131	131	130	130	147	147	151	169	201	201	201
	G	106	106	111	111	140	154.5	170	170	180	180	240
	J	120-106	120-106	120-106	120-106	120-106	120-106	180	180	180	180	180
	L	107	107	113.5	113.5	141	145	145	146	155	165	155
	M	147	150	154	172	178	181	181	208	264	400	264
	P	37	40	40	48	48	48	48	55	80	160	80
	Q	29.5	26	29	21	39	43	69	76	60	192	60
	S	20	20	20	25	25	25	25	30	40	60	40